

EZ-1™

Case Erector / Bottom Taper

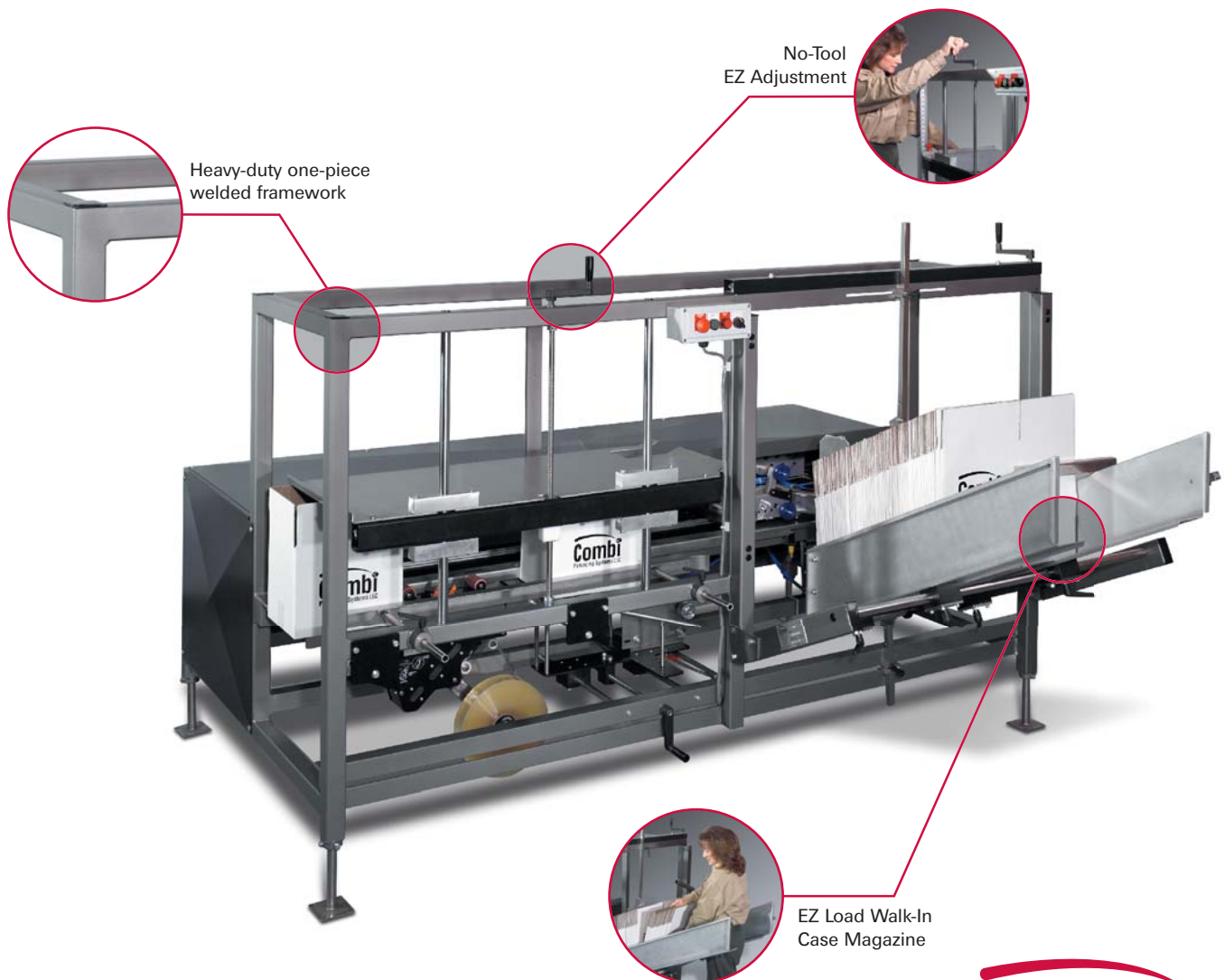
The Combi EZ-1™ is the new, low-cost case erecting solution, ideal for applications that require more throughput than manual case erecting can provide. It features the same style heavy-duty framework and components as the 2-EZ, with a simplified case transport system on low-friction linear rails. The result is a no-compromise system for erecting and sealing knockdown cases. The EZ-1 features our patented EZ adjustment system, walk-in case magazine, and is engineered for the most demanding 3-shift production environments.

Features:

- EZ-load walk-in case magazine
- One-piece welded tubular steel framework with lifetime warranty
- Two-minute No-Tool changeovers
- 3M Accuglide II™ tapehead
- 8 cases per minute standard
- One-year comprehensive warranty

Options:

- Casters
- 3" Tapehead
- Low tape / no tape detection
- Low case alarm
- External quick access tape mount





Features and Specifications:

- Patented EZ-adjust changeover system
- EZ-load case magazine
- 3M Accuglide II™ tapehead
- Open access for easy changeovers
- Right or left hand execution
- Vacuum blowoff every cycle
- Allen Bradley PLC controlled
- Heavy-duty welded tubular steel framework
- All stainless steel contact parts
- Labor saving efficient design
- Lockout / tagout safety disconnect
- One-year comprehensive warranty*
- Lifetime framework warranty*

Electrical Service:

110 volt / single phase / 20A

Air Consumption:

80 PSI, consumes approx. 4 CFM@80 PSI



The Combi EZ-1 easily erects and bottom seals the widest range of case sizes, accommodating corrugated weights from 150 lb test to 350 lb double wall.

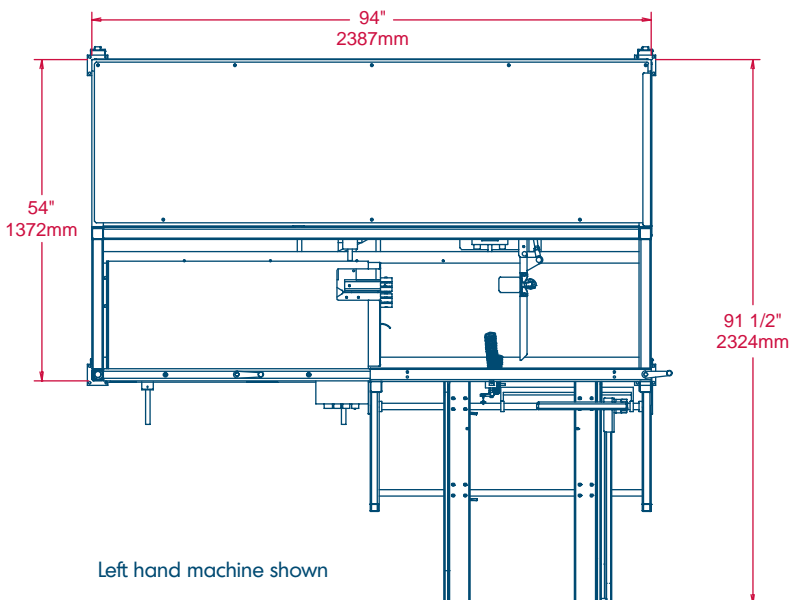


5365 East Center Drive, N.E.
Canton, Ohio 44721
Phone: 1-800-521-9072
Fax: 330-456-4644
www.combi.com

Model	Case Size Min. (LxWxH)	Case Size Max. (LxWxH)	Speed: Cases Per Minute	Overall System Footprint (approx)
EZ-1	6" x 4 1/2" x 4 1/2" 152 x 114 x 114mm	19" x 16" x 18" 483 x 406 x 458mm	8	7' 10" x 5' 5" 2387 x 1651mm

*See warranty for details.

EZ-1 (top view)



EZ-1 (side view)

