

# RS2000

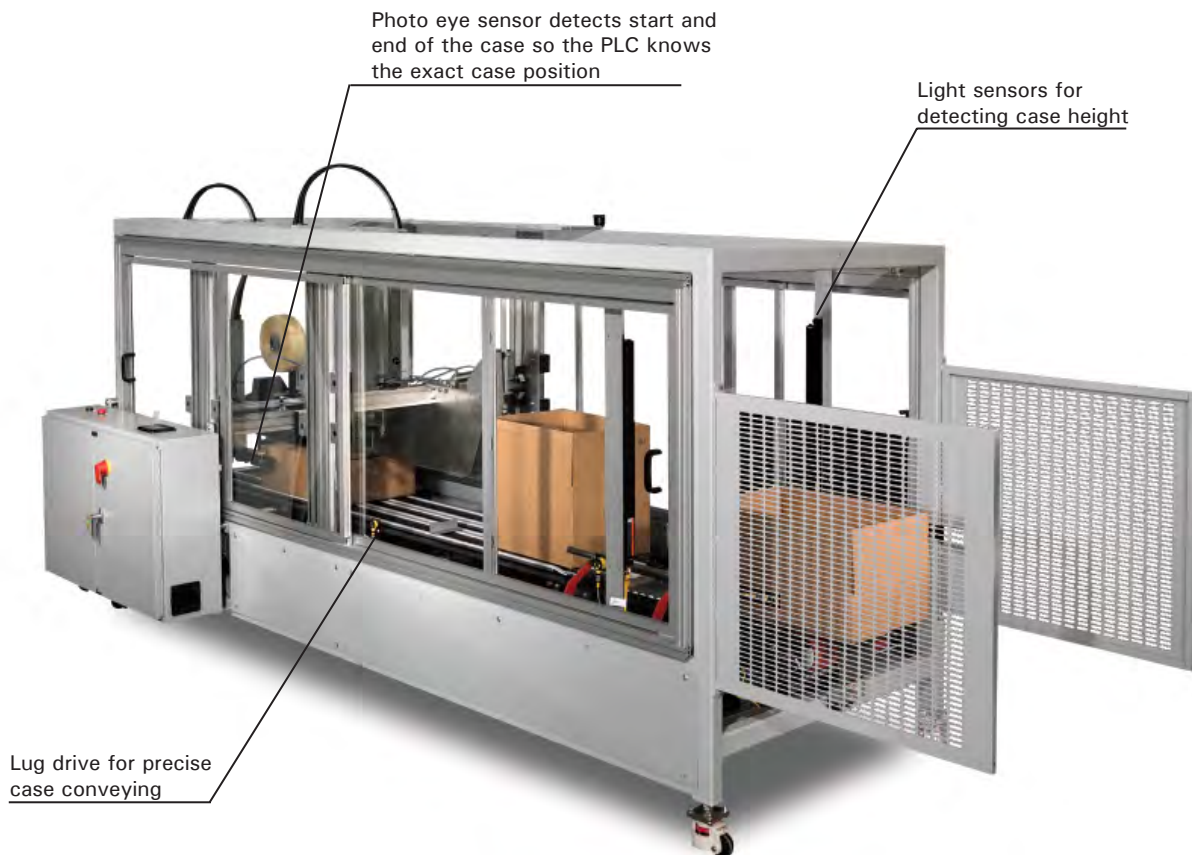
## Fully Automatic Random Case Sealer



The Combi RS2000 is a high speed, fully automatic case sealer capable of top and bottom sealing different size cases within a given range. Built for speed and flexibility, the RS2000 is ideal for high volume lines with random case sizes in distribution or fulfillment centers or manufacturing sites where different lines converge for sealing.

The three stage sealing process first indexes cases with an automatic gating mechanism; folds all four top flaps, and finally seals the top and bottom utilizing Allen Bradley Programmable Logic Controllers (PLC) and twin servo motors for accurate positioning and consistent sealing at the desired production rates.

You can have a different size case at each stage of the sealing process at speeds up to 20 cpm. Each machine is custom engineered to meet your specifications including variations in case size, weight, and operator orientation.



# RS2000

## Machine Benefits

- Custom engineered to meet your exacting specifications including variations in case size, weight and operator orientation provides you maximum efficiency.
- Allen Bradley PLC analyzes sensor input and controls sequence and timing for 3-stage operation of indexing, folding and sealing and controls function of each stage allowing for high speed production.
- Electric control panel with main disconnect switch can be mounted on either side for fast access and convenient line configuration.
- Top flap compression rollers on each side positions and closes flaps before taping for an improved seal.
- Servo controls provide consistent power for precise positioning and greater response time.
- 3M™ AccuGlide 3™ taping heads precisely apply a full range of box sealing tapes in 2" to 3" widths.
- Sliding access doors with electrical interlocks disconnect power and air for operator safety.
- Safety access-control panels are made of punched steel allowing operator to observe case flow.



| Model  | Min Case Size (LxWxH)          | Max Case Size* (LxWxH)           | Cases Per Minute | Footprint (LxWxH)          |
|--------|--------------------------------|----------------------------------|------------------|----------------------------|
| RS2000 | 10 x 8 x 6"<br>(254x203x152mm) | 24 x 16 x 16"<br>(610x406x406mm) | up to 20         | 11'11"x5'<br>(363x152cm)   |
| RS3000 | 10 x 8 x 6"<br>(254x203x152mm) | 28 x 22 x 22"<br>(711x559x559mm) | up to 15         | 13'11"x5'2"<br>(424x157cm) |

\* Case weight requirements at least 5 lbs.  
\* Case height not to exceed 0.8 x length

### Electrical Service:

- 230v / 3 phase / 30 amps / 60 Hz

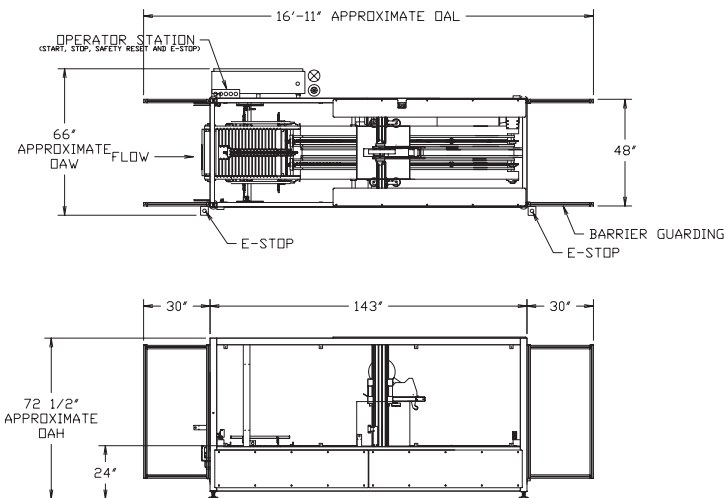
### Air Consumption:

- 80 PSI clean, dry air; consumes approximately 4 cfm

### Discharge Ht:

- 28 - 34"

### Distributed by:



RS2000 LEFT HAND MACHINE



5365 East Center Dr. NE Canton, OH 44721  
Phone: 1-800-521-9072 Fax: 330-456-4644

[www.combi.com](http://www.combi.com)

© 2009 Combi Packaging Systems LLC

a joint venture company with 3M and M J Maillis Group