

# 2-EZ<sup>®</sup>

**Combi**  
Packaging Systems LLC

## Case Erector/Bottom Taper

For optimum durability, reliability and value, the Combi 2-EZ<sup>®</sup> is your clear choice for case erecting and bottom sealing. This proven machine is built with the industry's strongest frame (lifetime warranty) for the most demanding 3-shift environments. The 2-EZ<sup>®</sup> readily integrates into your existing line. Featuring Combi's EZ-load walk-in case magazine, patented slideout 3M Accuglide II+™ tapehead, and 2-minute changeover system, the 2-EZ<sup>®</sup> is designed for minimal downtime and years of dependable service. The versatile Combi 2-EZ<sup>®</sup> can form and seal the widest variety of cases, from single wall to triple wall corrugated. Add the Combi 2-EZ<sup>®</sup> to your line for instant productivity.

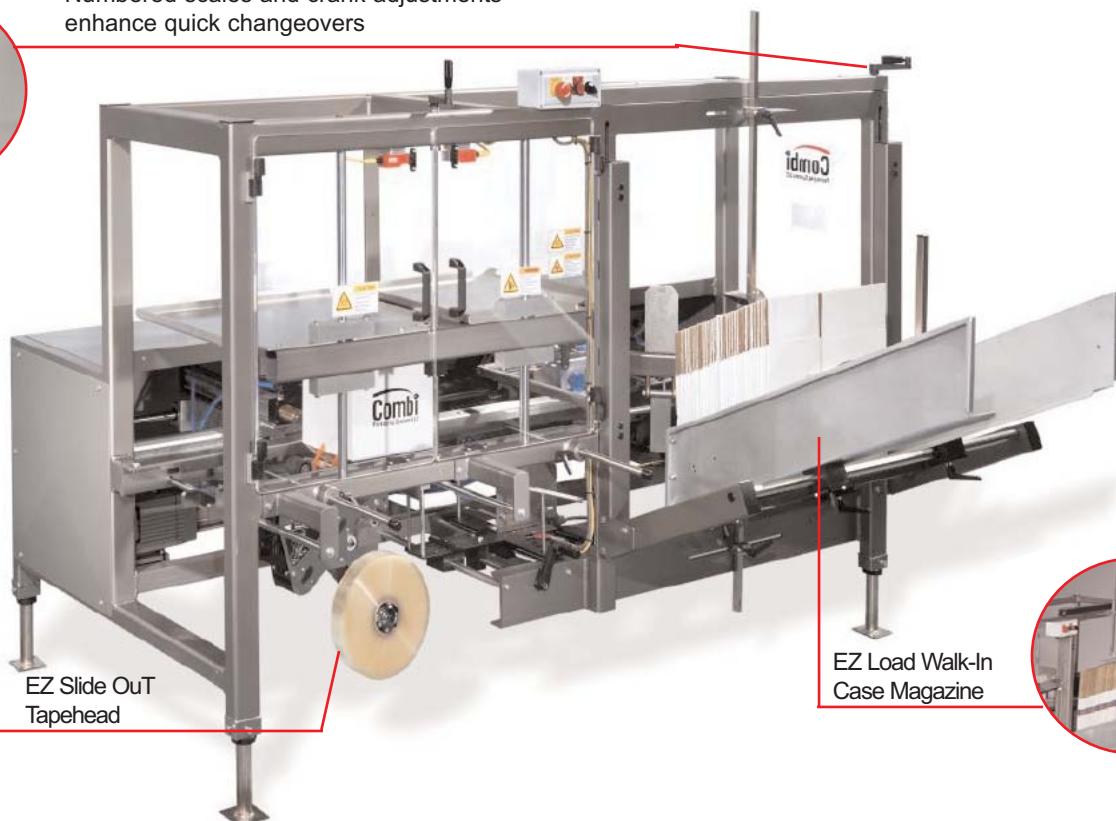
### Features:

- Up to 12 cases per minute
- EZ Load Walk-In Case Magazine
- Heavy-duty welded steel construction
- 2" 3M Accuglide II+™ Slideout Tapehead
- Two Minute Changeover
- Self-Cleaning vacuum system
- Steel-It Paint Finish
- Guarding Package with Electrical Interlocks
- Right Hand or Left Hand Execution

### Benefits:

- Increased Productivity
- No reaching or top loading that can lead to shoulder or back strain
- Rugged; lifetime guarantee on framework
- Easy to replace tape roll
- Minimizes downtime
- Prevents corrugated dust from building up in vacuum suction cups
- Protects Frame from Impact, Abrasion & Corrosion
- Air and power cut off when safety door opens during operation
- Easily integrates into your existing line

Numbered scales and crank adjustments enhance quick changeovers



EZ Slide Out Tapehead



EZ Load Walk-In Case Magazine





## Specifications:

- EZ adjust changeover system (2 minutes)
- EZ load walk-in case magazine
- 3M Accuglide II+™ Tapehead
- Right or left hand execution
- Vacuum blowoff prevents corrugated dust build-up
- Allen Bradley PLC controls
- Heavy-duty welded tubular construction
- One year comprehensive parts warranty\*
- Stainless steel contact parts
- Case discharge height from 23" (w/casters) to 32"
- Machine weight: 1400 lbs (640 kg)
- Rugged construction for 3-shift environments

## Electrical Service:

120 volt / Single Phase / 60 hz / 15A

## Air Consumption:

80 psi, 3.78 cfm @ 12 cpm

## Options:

- Heavy Duty Locking Casters
- Low Case Supply Alarm
- Low Tape/No Tape Alarm Kit
- Cluster Lubrication Kit
- Stainless Steel Framework
- Nema 4 Washdown
- Power Magazine
- Hot Melt Glue



**The Combi 2-EZ** is capable of erecting and sealing the widest range of case sizes and styles.

## Case styles:

- RSC Regular Slotted Case
- CSSC With Meeting Minors
- RSC With 5th Panel Partition
- AFM All Flaps Meeting
- FOL Full Overlapping Flaps
- RSC With Reversed Glue Flaps



**Distributed by:**

Model	Case Size Min. (LxWxH)	Case Size Max. (LxWxH)	Speed: Cases Per Minute**	Overall System Footprint (approx)
2-EZ	6" x 4-1/2" x 4-1/2" (152 x 114 x 114mm)	20" x 16" x 18" (508 x 406 x 457mm)	up to 12	8' x 7'9-5/8"

\* See warranty for details

\*\* Speeds are case size dependent

