

# 2-EZ<sup>®</sup>HS / 2-EZ<sup>®</sup>SB

**HIGH SPEED CASE ERECTORS/BOTTOM TAPERS**



**2-EZ<sup>®</sup>SB**  
*Bottom Taper, Case Erector*

Combi Packaging Systems LLC is raising the bar for case erecting innovation with our high speed, side belt drive case erectors. Engineered with the industry's strongest frame (lifetime warranty) for the most demanding 3-shift environments, the 2-EZ<sup>®</sup>SB and 2-EZ<sup>®</sup>HS can readily integrate into your existing line at speeds up to 30 cpm. The 2-EZ<sup>®</sup> side belt drive units are designed for years of dependable service and can form and seal the widest variety of cases, from single wall to triple wall corrugated. With features that contribute to lowering your cost of ownership, Combi high speed case erectors have never been easier to maintain and operate.

## **FEATURES:**

- Adjustable carriage stop design provides faster speeds and wider case size range
- No overhead cross members in doorways provides easy access for maintenance
- Hinged case hold down plate allows for easy tape head removal
- Only 5 adjustment points with digital indicators - the tapehead and side belts adjust together
- Positive four flap closing - rotary actuators and a fixed guide close the major flaps, which provides for smooth and gradual closing of the major flaps.
- Compact footprint frees up valuable floor space
- Piab vacuum generator located at the cup results in energy savings

# 2-EZ<sup>®</sup>HS / 2-EZ<sup>®</sup>SB

## 2-EZ<sup>®</sup>HS FEATURES:

- Up to 25 cases per minute (optional speed up kit)
- EZ load walk-in 50" powered magazine
- Positive four flap closing
- Heavy duty welded steel frame with lifetime guarantee
- 3M<sup>™</sup> high speed NPH 2" tape head
- Servo driven carriage assembly
- Dual side belt drive case indexing
- Allen-Bradley<sup>™</sup> PLC controls and operator interface
- Self-cleaning vacuum system with air purge

## 2-EZ<sup>®</sup>SB FEATURES:

- 2-EZ<sup>®</sup>SB up to 15 cases per minute
- EZ load walk-in 50" powered magazine
- Positive four flap closing
- Heavy duty welded steel frame with lifetime guarantee
- 3M<sup>™</sup> Accuglide<sup>™</sup> 2" tape head
- Pneumatic carriage assembly
- Dual side belt drive case indexing
- Allen-Bradley<sup>™</sup> PLC controls and operator interface
- Self-cleaning vacuum system with air purge

## ELECTRICAL SERVICE:

2-EZ<sup>®</sup>HS 240 volt / 3 ph / 20A

2-EZ<sup>®</sup>SB 115 volt / 1 ph / 15A



The Combi 2-EZ<sup>®</sup>HS, 2-EZ<sup>®</sup>SB are capable of erecting and sealing the widest range of case sizes and styles.

RSC Regular Slotted Case  
 CSSC With Meeting Minors  
 RSC With 5th Panel Partition

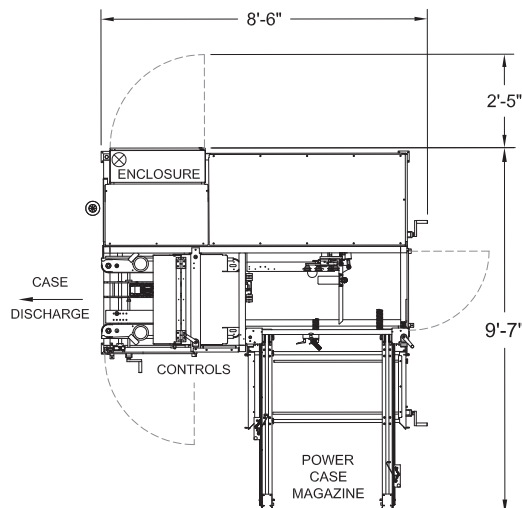
## DISTRIBUTED BY:

MODEL	CASE SIZE MIN* (LXWXH)	CASE SIZE MAX (LXWXH)	SPEED: CPM**
2-EZ <sup>®</sup> HS	8 x 6 x 5" (203x152x127mm)	24 x 16 x 18" (610x406x457mm)	20
Speed Up Kit	8 x 6 x 5" (203x152x127mm)	16 x 10 x 18" (406x254x457mm)	30
2-EZ <sup>®</sup> SB	8 x 6 x 5" (203x152x127mm)	24 x 16 x 18" (610x406x457mm)	8-20" long 15 cpm 20-24" long 12 cpm

\* Hot melt applications case size minimum 8 x 8 x 5"

\*\* Speeds are case size dependent

2-EZ SB  
2-EZ HS



6299 Dressler Rd NW North Canton, OH 44720

Phone: 1-330-456-9333 www.combi.com

© 2018 Combi Packaging Systems LLC, a joint venture with 3M<sup>™</sup> and Maillis Group