

# ALPHAPACK® HS

HIGH SPEED PICK & PLACE PACKER



For many years Combi's alphasack® has been installed on production floors all over the world. This ultra-compact system for top loading products into corrugated cases features an integrated case erector, yielding the smallest footprint in the industry while accommodating a wide range of case sizes and pack patterns. We now are meeting customers' requests for higher speeds with the alphasack® HS, featuring our integrated 2-EZ® HS case erector with servo carriage. Precise top-loading of cartons, cans, bottles, bags and other products in single or multiple layers into single or double cases can be accomplished up to 20 cases per minute. Gentle product handling with vacuum or mechanical product pickup assure consistent case loading and product integrity. The alphasack® HS system features heavy-duty welded tubular steel construction, integrated touchscreen controls and diagnostics with a linear servo system capable of 25 picks per minute.

## ALPHAPACK® HS FEATURES:

- Compact footprint with integrated case erector
- Vacuum generator used for case pick
- 3" Heavy-duty welded steel construction
- Quick release change parts for fast product changeovers
- Two axis servo module with high torque brushless motor
- Full guarding with hinged doors and safety interlocks
- Product conveyor with variable frequency speed control
- Allen Bradley™ electrical PLC and OIT
- 50" Easy load, walk-in powered case magazine

## OPTIONS:

- Stainless steel and environmental enhancement packages
- Network control integration
- Combi servo multi-lane product diverter
- Special flap folding configurations
- Various methods for safely top loading products
- Rotating head; dual heads
- Racetrack indexing conveyor system for packing flexible bags
- Remote access through spectrum web port
- Smart HMI's that can provide asset monitoring and diagnostic feedback

# ALPHAPACK® HS

## DESIGNED TO PERFORM:

- Linear fixed motor servo system capable of up to 25 picks per minute
- Packs single or multiple layers
- Packs into single or double cases
- Vacuum blowoff every cycle to clear corrugated dust buildup
- System erects and packs into sealed case
- Right hand or left hand execution
- Lockout/tagout safety disconnect
- Low profile product conveyor with variable frequency speed control

## ELECTRICAL SERVICE:

240 volt /3ph /60Hz /25 amps

## AIR REQUIREMENTS:

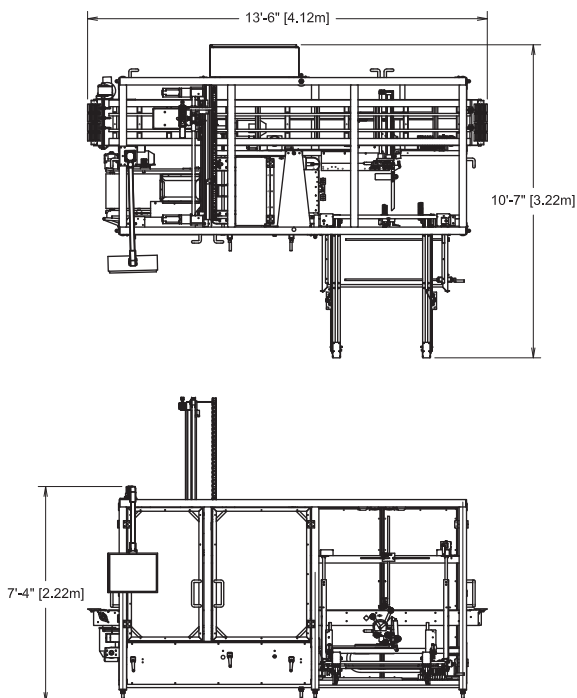
80 PSI clean air supply. Consumes approximately 30 cfm

MODEL	CASE SIZE MIN (LXWXH)	CASE SIZE MAX (LXWXH)	SPEED: CPM*	PICKS PER MINUTE*
Alphapack HS	8 x 6 x 5" (203x152x127 mm)	24 x 16 x 18" (610x406x458 mm)	20	Single Case 25 ppm Dual Case 22 ppm

\* Speeds are dependent on case, product and pack pattern



Various methods for efficiently and safely top loading products. Solutions available for flexible pouches, gable top cartons, gusseted bags, bottles, and cans, among others.



DISTRIBUTED BY:



6299 Dressler Rd NW North Canton, OH 44720

Phone: 1-800-521-9072 www.combi.com

© 2018 Combi Packaging Systems LLC, a joint venture with 3M™ and Maillis Group