

EZ-PACK

SEMI-AUTO CASE FORMER AND SEALER



When you need to boost production but your operation just doesn't warrant full automation, the Combi EZ-Pack provides a semi-automatic solution for your manual packing lines. The simple, rugged design features an operator-assisted case former, optional product infeed conveyor, pack station and sealer. The Combi EZ-Pack allows one person to form, pack and seal corrugated cases in a single operation. A cost-saving step up from manually erecting and taping boxes, this value-priced pack station boosts efficiencies while reducing the threat of repetitive stress injuries. 3M™ Accuglide™ tape head efficiently seal top and/or bottom flaps and the modest footprint takes up little floor space. Tape roll changes are easy, and changeovers simple and repeatable.

FEATURES:

- Combi four flap folding device, operator assisted
- Lifetime warranty on structural framework
- Right hand or left hand execution
- V-Guide side drive belts for straight tracking
- 3M™ Accuglide™ tape head
- Quick changeover from case size to case size
- Compact Footprint
- Integrated with top and/or bottom case sealer



EZ-PACK

OPERATION SEQUENCE:

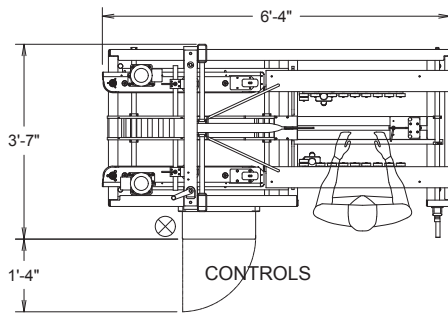
The operator manually opens a case and places it into the flap-folding assembly. Sensors detect the case and the folding mechanism closes the bottom four flaps, while keeping the case contained. Once the operator manually fills the case with product, the operator folds the trailing minor flap and pushes the case into the case sealer. The side belt drives of the case sealer convey the case through the plow assembly, automatically closing the remaining flaps and sealing the top and/or bottom of the case before discharging from the machine.



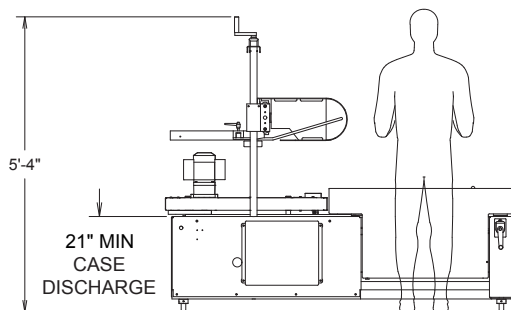
MODEL	CASE SIZE MIN (LXWXH)	CASE SIZE MAX (LXWXH)	SPEED: CPM*
EZ-Pack	8 x 6 x 5" (203x152x127mm)	24 x 16 x 18" (610x406x457mm)	12
EZ-Pack XL	10 x 10 x 6" (254x254x152mm)	30 x 24 x 18" (762x610x457mm)	12

* Operator/Product/Pack Pattern dependent

DISTRIBUTED BY:



LEFT HAND



6299 Dressler Rd NW North Canton, OH 44720
Phone: 1-800-521-9072 www.combi.com

© 2018 Combi Packaging Systems LLC, a joint venture with 3M™ and Maillis Group