

# ERGOMATIC

EFFICIENT HAND PACKING STATION



The Ergomatic is a value-priced, semi-automatic hand packing station solution for companies that require more throughput than manual case erecting, packing and sealing can provide. This integrated system provides optimum operator comfort by reducing lifting, reaching, stretching, bending and twisting in the packaging operation. Efficient and durable, the Ergomatic combines a case erector, a custom hand pack station and a Combi semi-automatic, top and bottom sealing case sealer into a cost effective work cell.

## WHY AUTOMATE YOUR HAND PACKING LINE?

- Lifting of products is significantly reduced, resulting in fewer back injuries
- Automatic case erecting and sealing minimizes reach and wrist movements, reducing the threat of repetitive motion injuries and the medical costs associated with treatment
- Quick case changeover means minimal machine downtime - ideal for short runs
- Profits are realized through increased productivity
- Hand packing assures 100% product inspection
- Semi-automatic solution to pack irregular shaped products that don't lend themselves to automatic packing
- Streamlined solution for kitting different products into a case

# ERGOMATIC

## STANDARD FEATURES:

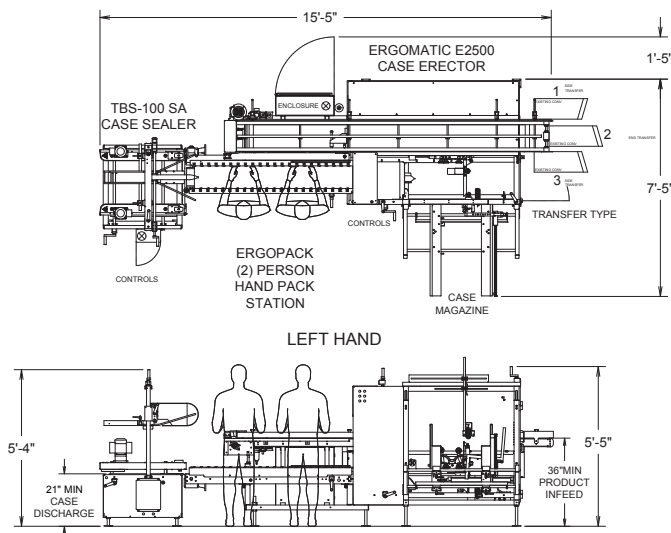
- Choice of a semi-automatic or fully automatic case sealer
- Integrated E-series automatic case erector
- Self-cleaning vacuum system with air purge
- Changeover package with numbered scales and crank adjustments
- Right or left hand execution
- One piece tubular welded frame with lifetime guarantee
- 12" wide plastic flat mat, top chain product conveyor
- Patented low profile, motorized, two-person pack off case conveyor with on-demand case indexing for hand packing
- Allen-Bradley™ electrical controls and operator interface
- 3M™ Accuglide tapeheads



ERGOMATIC WITH 3M-MATIC™ A80 SEALER

MODEL	CASE SIZE MIN (LXWXH)	CASE SIZE MAX (LXWXH)	SPEED: CPM
E2500 Ergomatic	8½ x 5 x 5" (216x127x127mm)	20 x 13½ x 16" (508x343x406mm)	10
E3000 Ergomatic	13 x 7¾ x 6" (330x197x152mm)	24 x 16 x 16" (610x406x406mm)	10
E3500 Ergomatic	13 x 7¾ x 6" (330x197x152mm)	24 x 20 x 16" (610x508x406mm)	8

DISTRIBUTED BY:



6299 Dressler Rd NW North Canton, OH 44720

Phone: 1-800-521-9072 www.combi.com

© 2018 Combi Packaging Systems LLC, a joint venture with 3M™ and Maillis Group