

# TBS HOT MELT

## AUTOMATIC TOP AND BOTTOM CASE SEALERS



A case sealer can be your first step into automation by eliminating the inefficiencies of hand sealing. Whether you need a stand-alone case sealer to boost productivity or a sealing solution integrated at the end of your Combi case packing line, Combi TBS sealers offer a reliable solution for your needs. And if your cases need a stronger bond than adhesive tape can provide, Combi's TBS hot melt glue top or top and bottom case sealers can provide the maximum seal integrity to ensure a secure case. With all Combi's TBS sealers, changeovers between case sizes are simple and repeatable on these compact machines.

### FEATURES:

- Heavy duty tubular steel construction
- Quick changeovers with scales for accurate, repeatable results
- Dual oversized drive motors with adjustable belts
- Safety interlocked guarding
- V-Guide Side Drive Belts for straight tracking
- Nordson ProBlue Liberty™ Integrated Tankless Melter and Fill Glue System
- Pre-set, programmable glue patterns
- Allen-Bradley™ electrical components

### OPTIONS:

- Stainless steel framework
- NEMA 4 compliant washdown components
- Low glue sensor and alarm kit
- Special flap folding mechanisms
- Automatic adhesive filling machine
- Changes to discharge elevations



### TBS-100 FC HM

*Hot Melt Top & Bottom Case Sealer*

# TBS HOT MELT

## FEATURES & SPECIFICATIONS:

- Heavy duty welded tubular steel frame with lifetime guarantee
- Nordson ProBlue® Melters Glue System
- Pre-set, programmable glue patterns
- Quick changeovers with digital scales on crank adjustments
- Heavy-duty drive motors
- V-Guide drive belts for straight tracking
- Emergency stops integrated with case packing line and conveyors
- Available in top or top and bottom models
- Automatic case indexing (pop up gate)
- Four flap folding
- Full guarding with hinged doors and safety interlocks

## ADDITIONAL CAPABILITIES:

- Reverse flap folding for display cases
- Chipboard display cases
- Gap flap boxes
- FOL/POL cases
- Sift-proof glue pattern



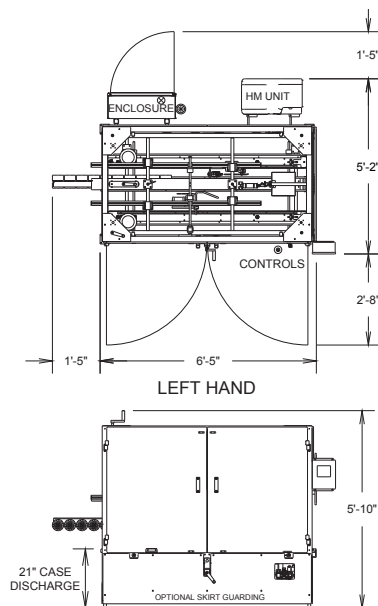
Nordson integrated tankless melter and fill systems maintain consistent adhesive levels, increase uptime while delivering energy and maintenance savings that result in increased operating efficiency and lower per-package costs.

DISTRIBUTED BY:

| MODEL                     | CASE SIZE MIN (LXWXH)           | CASE SIZE MAX TOP & BOTTOM (LXWXH)                                       | SPEED: CPM <sup>±</sup> |
|---------------------------|---------------------------------|--|-------------------------|
| TBS-100 FCXL HM           | 8 x 8 x 5"<br>(203x203x127mm)   | 24 x 20 x 24"<br>(609x508x609mm)<br>20 x 20 x 24" T&B<br>(508x508x609mm) | 15                      |
| TBS-100 FC HM<br>Gap Flap | 8½ x 8½ x 7"<br>(216x216x178mm) | 24 x 20 x 24"<br>(609x508x609mm)   | 15                      |
| TBS-300<br>Top Only       | 8 x 8 x 5"<br>(203x203x127mm)   | 26 x 20 x 20"<br>(660x508x508mm)   | 50                      |

\* Combi sealer max speeds are case size dependent

TBS-100 FCXL HM



6299 Dressler Rd NW North Canton, OH 44720 USA  
Phone: 1-800-521-9072 www.combi.com

© 2018 Combi Packaging Systems LLC, a joint venture with 3M™ and Mailis Group